

Hinged-Cover Type 3R Enclosures

Hinged Cover, Medium, Type 3R



Industry Standards

UL 50, 50E Listed; Type 3R; File No. E27567
cUL Listed per CSA C22.2 No 94; Type 3R File No. E27567

NEMA/EEMAC Type 3R
IEC 60529, IP32

Application

These enclosures have a size range of 16 x 12 x 6-in. to 48 x 36 x 16-in. and meet basic functionality requirements for applications that require protection from rain, sleet, snow or dripping water.

Features

- Drip shield top and seam-free sides, front, and back protect from rain, snow, or sleet
- 16 gauge plated steel continuous hinge has stainless steel pin
- Cover fastened securely with captive plated steel screws
- Collar studs provided for mounting optional panels
- Hasp and staple provided for padlocking
- No gasketing or knockouts

Specifications

- 16 or 14 gauge galvanized steel

Finish

ANSI 61 gray polyester powder paint finish inside and out over galvanized steel. Optional solid panels are white.

Accessories

See also Accessories.

Industrial Corrosion Inhibitors

Electric Heater

Grounding Device

Panel Support Kit

Panels for Type 3R, 4, 4X, 12 and 13 Enclosures

Rack Mounting Angles - U Style (Type RA)

Terminal Block Kit Assembly for Junction Boxes Overview

Touch-Up Paint

Steel and Stainless Steel Window Kits

Bulletin: A3M

Standard Product

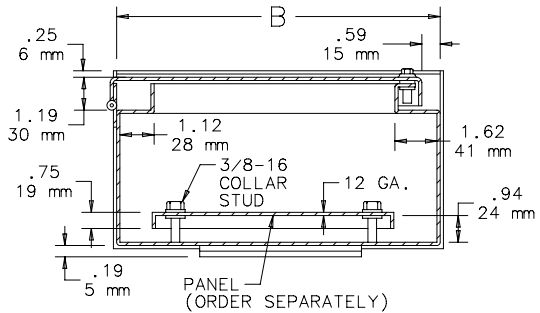
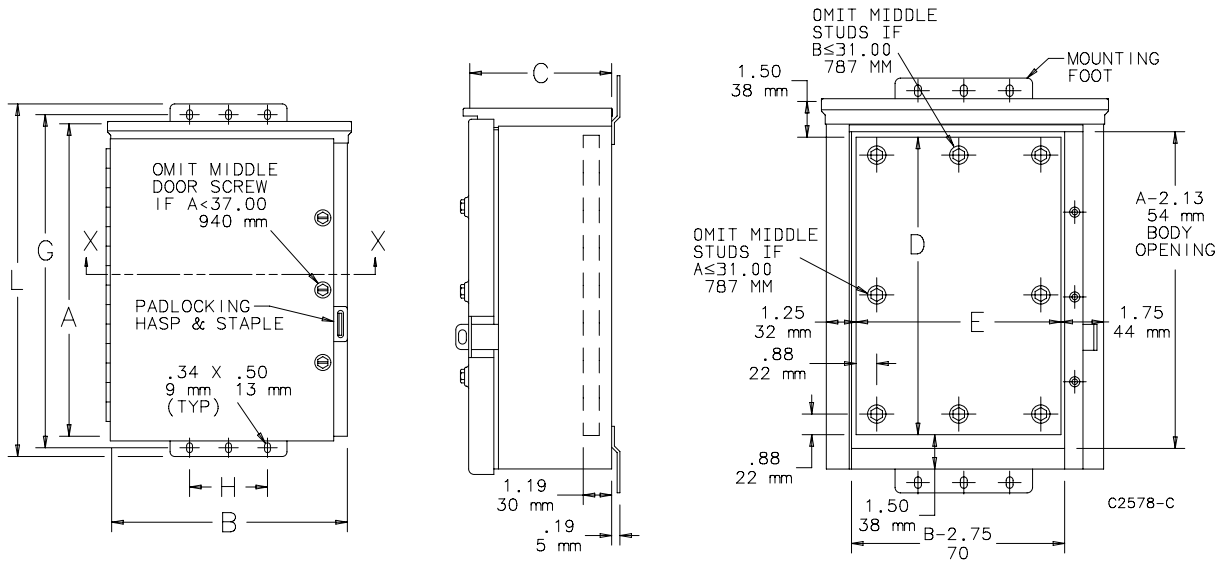
Catalog Number	AxBxC in.	AxBxC mm	Panel	Perforated Panel	Panel Size D x E (in.)	Panel Size D x E (mm)	Mounting G x H (in.)	Mounting G x H (mm)	Overall L (in.)	Overall L (mm)
A16R126HCR	16.00 x 12.00 x 6.00	406 x 305 x 152	A16P12	A16P12PP	13.00 x 9.00	330 x 229	17.00 x 5.00	432 x 127	18.00	457
A16R166HCR	16.00 x 16.00 x 6.00	406 x 406 x 152	A16P16	A16P16PP	13.00 x 13.00	330 x 330	17.00 x 13.00	432 x 330	18.00	457
A18R186HCR	18.00 x 18.00 x 6.00	457 x 457 x 152	A18P18	A18P18PP	15.00 x 15.00	381 x 381	19.00 x 13.00	483 x 330	20.00	508
A20R166HCR	20.00 x 16.00 x 6.00	508 x 406 x 152	A20P16	A20P16PP	17.00 x 13.00	432 x 330	21.00 x 13.00	533 x 330	22.00	559
A20R208HCR	20.00 x 20.00 x 8.00	508 x 508 x 203	A20P20	A20P20PP	17.00 x 17.00	432 x 432	21.00 x 13.00	533 x 330	22.00	559
A24R208HCR	24.00 x 20.00 x 8.00	610 x 508 x 203	A24P20	A24P20PP	21.00 x 17.00	533 x 432	25.00 x 13.00	635 x 330	26.00	660
A24R248HCR	24.00 x 24.00 x 8.00	610 x 610 x 203	A24P24	A24P24PP	21.00 x 21.00	533 x 533	25.00 x 13.00	635 x 330	26.00	660
A30R248HCR	30.00 x 24.00 x 8.00	762 x 610 x 203	A30P24	A30P24PP	27.00 x 21.00	686 x 533	31.00 x 13.00	787 x 330	32.00	813
A18R1810HCR	18.00 x 18.00 x 10.00	457 x 457 x 254	A18P18	A18P18PP	15.00 x 15.00	381 x 381	19.00 x 13.00	483 x 330	20.00	508
A30R308HCR	30.00 x 30.00 x 8.00	762 x 762 x 203	A30P30	A30P30PP	27.00 x 27.00	686 x 686	31.00 x 27.00	787 x 686	32.00	813
A24R2410HCR	24.00 x 24.00 x 10.00	610 x 610 x 254	A24P24	A24P24PP	21.00 x 21.00	533 x 533	25.00 x 13.00	635 x 330	26.00	660
A30R2410HCR	30.00 x 24.00 x 10.00	762 x 610 x 254	A30P24	A30P24PP	27.00 x 21.00	686 x 533	31.00 x 13.00	787 x 330	32.00	813
A36R3610HCR	36.00 x 36.00 x 10.00	914 x 914 x 254	A36P36	A36P36PP	33.00 x 33.00	838 x 838	37.00 x 30.00	940 x 762	38.00	965
A30R3012HCR	30.00 x 30.00 x 12.00	762 x 762 x 305	A30P30	A30P30PP	27.00 x 27.00	686 x 686	31.00 x 27.00	787 x 686	32.00	813
A36R2412HCR	36.00 x 24.00 x 12.00	914 x 610 x 305	A36P24	A36P24PP	33.00 x 21.00	838 x 533	37.00 x 13.00	940 x 330	38.00	965
A36R3012HCR	36.00 x 30.00 x 12.00	914 x 914 x 305	A36P30	A36P30PP	33.00 x 27.00	838 x 686	37.00 x 27.00	940 x 686	38.00	965
A42R3012HCR	42.00 x 30.00 x 12.00	1067 x 914 x 305	A42P30	—	39.00 x 27.00	991 x 686	43.00 x 27.00	1092 x 686	44.00	1118
A36R3612HCR	36.00 x 36.00 x 12.00	914 x 914 x 305	A36P36	A36P36PP	33.00 x 33.00	838 x 838	37.00 x 27.00	940 x 686	38.00	965
A42R3612HCR	42.00 x 36.00 x 12.00	1067 x 914 x 305	A42P36	—	39.00 x 33.00	991 x 838	43.00 x 27.00	1092 x 686	44.00	1118
A48R3612HCR	48.00 x 36.00 x 12.00	1219 x 914 x 305	A48P36	—	45.00 x 33.00	1143 x 838	49.00 x 27.00	1245 x 686	50.00	1270
A60R3612HCR	60.00 x 36.00 x 12.00	1524 x 914 x 305	A60P36	—	57.00 x 33.00	1448 x 838	61.00 x 27.00	1549 x 686	62.00	1575
A30R3016HCR	30.00 x 30.00 x 16.00	762 x 762 x 406	A30P30	A30P30PP	27.00 x 27.00	686 x 686	31.00 x 27.00	787 x 686	32.00	813
A48R3616HCR	48.00 x 36.00 x 16.00	1219 x 914 x 406	A48P36	—	45.00 x 33.00	1143 x 838	49.00 x 27.00	1245 x 686	50.00	1270

Purchase panels separately. Optional aluminum panels are available for most sizes.

Purchase perforated panels separately.

Flanged on all four sides.

Hinged-Cover Type 3R Enclosures



SECTION X-X