

Type 3/3R Enclosures

Type 3R Screw Cover Enclosures - Painted & Galvanized Data Sheet

Type 3/3R Enclosures



Construction

- Enclosure and cover are fabricated from code gauge galvaneal steel for painted or galvanized steel, (see table)
- Enclosure body has embossed mounting holes on the back
- Available with or without knockouts on the bottom end of enclosures less than 30 inches wide
- Cover is held secure by sliding it under the top end flange and fastening it with plated screws on the bottom end flange, (larger sizes use two studs and wing nuts)
- #10-32 tapped hole provision for optional ground lug kit

Finish

- Wash and phosphate undercoat
- ANSI 61 gray acrylic electrocoat finish

Accessories

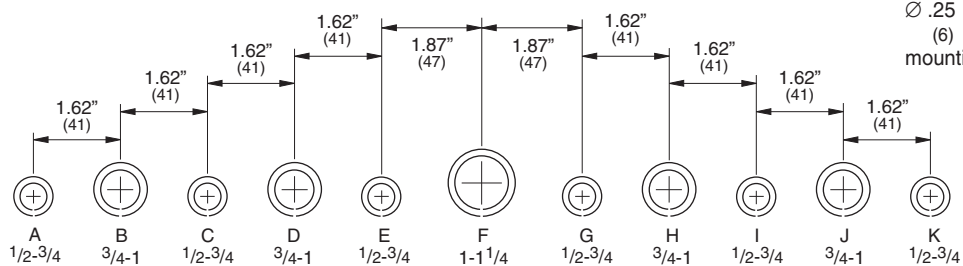
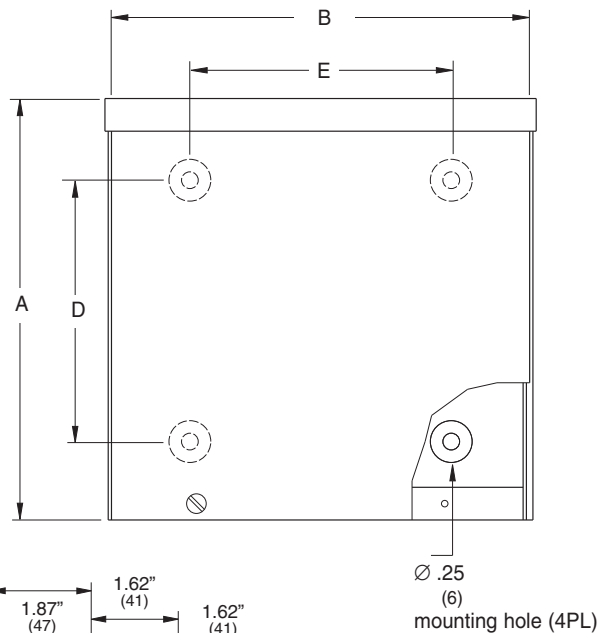
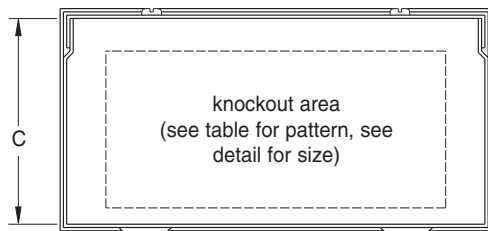
- Ground lug kit
- Touch-up paint
- See Accessories section

Application

- Used as wiring boxes, junction and pull boxes
- Protects against falling rain, sleet and external ice formation

Standards

- UL 50 listed, Type 3R
- CSA C22.2 No. 40 certified, Type 3R
- Conforms to NEMA standard for Type 3R
- IEC 60529, IP32



Conduit Sizes

Knockout Detail

Note: See table for applicable knockout pattern.

Notes: Cooper B-Line can provide special sizes, finishes and other modifications. Consult the factory for your special requirements.

Type 3/3R Enclosures

Type 3R Screw Cover Enclosures - Painted & Galvanized Catalog Number

Type 3/3R Enclosures

Enclosure Catalog Number				Enclosure Size Height x Width x Depth		D		E		Gauge	Knockout Pattern
Painted		Galvanized		A x B x C							
KO	No KO	KO	No KO	in.	mm	in.	mm	in.	mm		
444 RTSC	444 RTSC NK	444 RTSCGV	444 RTSCGV NK	4.00x4.00x4.00	102x102x102	1.50	38	1.81	46	16	C D
644 RTSC	644 RTSC NK	644 RTSCGV	644 RTSCGV NK	6.00x4.00x4.00	152x102x102	3.50	89	1.81	46	16	C D
664 RTSC	664 RTSC NK	664 RTSCGV	664 RTSCGV NK	6.00x6.00x4.00	152x152x102	3.50	89	3.81	97	16	C D E
864 RTSC	864 RTSC NK	864 RTSCGV	864 RTSCGV NK	8.00x6.00x4.00	203x152x102	5.50	140	3.81	97	16	C D E
884 RTSC	884 RTSC NK	884 RTSCGV	884 RTSCGV NK	8.00x8.00x4.00	203x203x102	5.50	140	5.81	148	16	G H I J
1084 RTSC	1084 RTSC NK	1084 RTSCGV	1084 RTSCGV NK	10.00x8.00x4.00	254x203x102	7.50	191	5.81	148	16	G H I J
10104 RTSC	10104 RTSC NK	10104 RTSCGV	10104 RTSCGV NK	10.00x10.00x4.00	254x254x102	7.50	191	7.81	198	16	D E F G H
1284 RTSC	1284 RTSC NK	1284 RTSCGV	1284 RTSCGV NK	12.00x8.00x4.00	305x203x102	9.50	241	5.81	148	16	G H I J
12104 RTSC	12104 RTSC NK	12104 RTSCGV	12104 RTSCGV NK	12.00x10.00x4.00	305x254x102	9.50	241	7.81	198	16	D E F G H
12124 RTSC	12124 RTSC NK	12124 RTSCGV	12124 RTSCGV NK	12.00x12.00x4.00	305x305x102	9.50	241	9.81	249	16	D E F G H
15124 RTSC	15124 RTSC NK	15124 RTSCGV	15124 RTSCGV NK	15.00x12.00x4.00	381x305x102	12.50	318	9.81	249	16	D E F G H
16124 RTSC	16124 RTSC NK	16124 RTSCGV	16124 RTSCGV NK	16.00x12.00x4.00	406x305x102	13.50	343	9.81	249	16	D E F G H
16164 RTSC	16164 RTSC NK	16164 RTSCGV	16164 RTSCGV NK	16.00x16.00x4.00	406x406x102	13.50	343	13.81	351	16	C D E F G H I
18124 RTSC	18124 RTSC NK	18124 RTSCGV	18124 RTSCGV NK	18.00x12.00x4.00	457x305x102	15.50	394	9.81	249	16	D E F G H
18184 RTSC	18184 RTSC NK	18184 RTSCGV	18184 RTSCGV NK	18.00x18.00x4.00	457x457x102	15.50	394	15.81	402	16	B C D E F G H I J
24244 RTSC	24244 RTSC NK	24244 RTSCGV	24244 RTSCGV NK	24.00x24.00x4.00	610x610x102	21.50	546	21.56	548	14	B C D E F G H I J
666 RTSC	666 RTSC NK	666 RTSCGV	666 RTSCGV NK	6.00x6.00x6.00	152x152x152	3.50	89	3.81	97	16	C D E
866 RTSC	866 RTSC NK	866 RTSCGV	866 RTSCGV NK	8.00x6.00x6.00	203x152x152	5.50	140	3.81	97	16	C D E
886 RTSC	886 RTSC NK	886 RTSCGV	886 RTSCGV NK	8.00x8.00x6.00	203x203x152	5.50	140	5.81	148	16	G H I J
1086 RTSC	1086 RTSC NK	1086 RTSCGV	1086 RTSCGV NK	10.00x8.00x6.00	254x203x152	7.50	191	5.81	148	16	G H I J
10106 RTSC	10106 RTSC NK	10106 RTSCGV	10106 RTSCGV NK	10.00x10.00x6.00	254x254x152	7.50	191	7.81	198	16	D E F G H
1286 RTSC	1286 RTSC NK	1286 RTSCGV	1286 RTSCGV NK	12.00x8.00x6.00	305x203x152	9.50	241	5.81	148	16	G H I J
12106 RTSC	12106 RTSC NK	12106 RTSCGV	12106 RTSCGV NK	12.00x10.00x6.00	305x254x152	9.50	241	7.81	198	16	D E F G H
12126 RTSC	12126 RTSC NK	12126 RTSCGV	12126 RTSCGV NK	12.00x12.00x6.00	305x305x152	9.50	241	9.81	249	16	D E F G H
16126 RTSC	16126 RTSC NK	16126 RTSCGV	16126 RTSCGV NK	16.00x12.00x6.00	406x305x152	13.50	343	9.81	249	16	D E F G H
16166 RTSC	16166 RTSC NK	16166 RTSCGV	16166 RTSCGV NK	16.00x16.00x6.00	406x406x152	13.50	343	13.81	351	16	C D E F G H I
18126 RTSC	18126 RTSC NK	18126 RTSCGV	18126 RTSCGV NK	18.00x12.00x6.00	457x305x152	15.50	394	9.81	249	16	D E F G H
18186 RTSC	18186 RTSC NK	18186 RTSCGV	18186 RTSCGV NK	18.00x18.00x6.00	457x457x152	15.50	394	15.81	402	16	B C D E F G H I J
24126 RTSC	24126 RTSC NK	24126 RTSCGV	24126 RTSCGV NK	24.00x12.00x6.00	610x305x152	21.50	546	9.81	249	16	D E F G H
24186 RTSC	24186 RTSC NK	24186 RTSCGV	24186 RTSCGV NK	24.00x18.00x6.00	610x457x152	21.50	546	15.81	402	16	B C D E F G H I J
24246 RTSC	24246 RTSC NK	24246 RTSCGV	24246 RTSCGV NK	24.00x24.00x6.00	610x610x152	21.50	546	21.56	548	14	B C D E F G H I J
10108 RTSC	10108 RTSC NK	10108 RTSCGV	10108 RTSCGV NK	10.00x10.00x8.00	254x254x203	7.50	191	7.81	198	16	D E F G H
12128 RTSC	12128 RTSC NK	12128 RTSCGV	12128 RTSCGV NK	12.00x12.00x8.00	305x305x203	9.50	241	9.81	249	16	D E F G H
18128 RTSC	18128 RTSC NK	18128 RTSCGV	18128 RTSCGV NK	18.00x12.00x8.00	457x305x203	15.50	394	9.81	249	16	D E F G H
18188 RTSC	18188 RTSC NK	18188 RTSCGV	18188 RTSCGV NK	18.00x18.00x8.00	457x457x203	15.50	394	15.81	402	16	B C D E F G H I J
24168 RTSC	24168 RTSC NK	24168 RTSCGV	24168 RTSCGV NK	24.00x16.00x8.00	610x406x203	21.50	546	13.81	351	16	C D E F G H I
24188 RTSC	24188 RTSC NK	24188 RTSCGV	24188 RTSCGV NK	24.00x18.00x8.00	610x457x203	21.50	546	15.81	402	16	B C D E F G H I J
24248 RTSC	24248 RTSC NK	24248 RTSCGV	24248 RTSCGV NK	24.00x24.00x8.00	610x610x203	21.50	546	21.56	548	14	B C D E F G H I J
121210 RTSC	121210 RTSC NK	121210 RTSCGV	121210 RTSCGV NK	12.00x12.00x10.00	305x305x254	9.50	241	9.81	249	16	D E F G H
181210 RTSC	181210 RTSC NK	181210 RTSCGV	181210 RTSCGV NK	18.00x12.00x10.00	457x305x254	15.50	394	9.81	249	16	D E F G H
181810 RTSC	181810 RTSC NK	181810 RTSCGV	181810 RTSCGV NK	18.00x18.00x10.00	457x457x254	15.50	394	15.81	402	16	B C D E F G H I J
241810 RTSC	241810 RTSC NK	241810 RTSCGV	241810 RTSCGV NK	24.00x18.00x10.00	610x457x254	21.50	546	15.81	402	16	B C D E F G H I J
242410 RTSC	242410 RTSC NK	242410 RTSCGV	242410 RTSCGV NK	24.00x24.00x10.00	610x610x254	21.50	546	21.56	548	14	B C D E F G H I J
302410 RTSC	302410 RTSC NK	302410 RTSCGV	302410 RTSCGV NK	30.00x24.00x10.00	762x610x254	27.50	699	21.56	548	14	B C D E F G H I J
-	303010 RTSC NK	-	303010 RTSCGV NK	30.00x30.00x10.00	762x762x254	27.50	699	27.56	700	12	-
242412 RTSC	242412 RTSC NK	242412 RTSCGV	242412 RTSCGV NK	24.00x24.00x12.00	610x610x305	21.50	546	21.56	548	14	B C D E F G H I J
-	303012 RTSC NK	-	303012 RTSCGV NK	30.00x30.00x12.00	762x762x305	27.50	699	27.56	700	14	-
362412 RTSC	362412 RTSC NK	362412 RTSCGV	362412 RTSCGV NK	36.00x24.00x12.00	914x610x305	33.50	851	21.56	548	14	B C D E F G H I J
-	363012 RTSC NK	-	363012 RTSCGV NK	36.00x30.00x12.00	914x762x305	33.50	851	27.56	700	12	-
-	363612 RTSC NK	-	363612 RTSCGV NK	36.00x36.00x12.00	914x914x305	33.50	851	33.56	852	12	-

Notes: Dimensions are in inches. Millimeters shown are for reference only. Data subject to change without notice.