

Inverter Driven Heat Pump **48,000 BTU Multi Position AHU**

Job Name _____
 Location _____
 Engineer _____
 Submitted To _____
 Submitted By _____
 Reference _____

Date _____
 Approval _____
 Construction _____
 Unit No _____
 Drawing No _____

PRODUCT FEATURES

- Up to 1.0" WC
- 2-Wire Wired Remote Controls
- All Aluminum Coil
- Heating operation rated down to -5°F outdoor temperature.
- Long Lineset Lengths (up to 230')
- Integral Electric Heat Kit (Optional)
- Low Air Leakage Rate (2% or less)



MODEL NUMBERS

Indoor Unit	AMUG48LMAS
Outdoor Unit	AOUG48LMAS1
System	48LMAS1

EFFICIENCIES

SEER	17.0	
EER	8.2	
HSPF	10.2	
COP	kW/kW	2.90
	Btu/hW	9.9

OUTDOOR TEMPERATURE OPERATION RANGE

Cooling	*F(*C)	14 - 115 (-10 - 46)
Heating		-5 - 75 (-20 - 24)

CAPACITIES

Cooling	Rated	BTU/hW	45,600
	Min.—Max.		13,000 - 48,000
Heating	Rated		53,000
	Min.—Max.		11,000 - 54,000

LINESSET REQUIREMENTS

Connection Method	Flare	
Liquid	in (mm)	3/8
Gas		5/8
Pre-Charge Length	ft (m)	98 (30)
Minimum Length		16 (5)
Maximum Length		230 (70)
Max. Height Diff.		98 (30)

INDOOR DIMENSIONS & WEIGHT

Net (H x W x D)	in	57 x 21 x 21 11/16
	mm	1448 x 533 x 551
Gross (H x W x D)	in	57 2/16 x 23 x 26 8/16
	mm	1451 x 584 x 673
Net Weight	lb (kg)	132 (60)
Gross Weight		146 (66)

OUTDOOR DIMENSIONS & WEIGHT

Net (H x W x D)	in	39 5/16 x 38 3/16 x 14 9/16
	mm	998 x 970 x 370
Gross (H x W x D)	in	45 12/16 x 41 14/16 x 18 13/16
	mm	1162 x 1064 x 478
Net Weight	lb (kg)	198 (90)
Gross Weight		220 (100)

Warranty Information



7 Year Compressor, 5 Year Parts out-of-the-box Warranty



10 Year Compressor, 10 Year Parts Warranty when registered within 60 days of installation in a residence



12 Year Compressor, 12 Year Parts Warranty when registered within 60 days of installation in a residence, and installed by a Fujitsu Elite contractor

ACCESSORIES

UTY-RNRUZ4	Wired Remote Control
UTY-RSRY	Simple Remote Control
UTY-LBTUM	IR receiver kit with wireless remote controller
UTY-TTRX	Third Party Thermostat Adapter
UTY-TFSXZ2	WiFi Module
UTY-XCSX	External Input and Output PCB
UTY-XSZX	Remote Sensor



Indoor Unit UL#: 7F62
 Outdoor Unit ETL#: 3170288

Effective Date: 4/16/2021

Due to continuous product improvements, specifications are subject to change without notice. Please log in to the Fujitsu Portal for the most up-to-date documentation <https://portal.fujitsugeneral.com>

Inverter Driven Heat Pump

48,000 BTU Multi Position AHU

FAN DATA				
Indoor Unit Airflow Rate	Cooling	High	CFM (m3/h)	1,640 (2,786)
		Medium		1,020 (1,733)
		Low		820 (1,393)
		Quiet		590 (1,002)
	Heating	High		1,640 (2,786)
		Medium		1,020 (1,733)
		Low		820 (1,393)
		Quiet		590 (1,002)
Outdoor Unit Airflow Rate	Cooling		2,590 (4,400)	
	Heating		2,590 (4,400)	
SOUND PRESSURE				
Indoor Unit	Cooling	High	dB (A)	48
		Medium		36
		Low		31
		Quiet		25
	Heating	High		47
		Medium		37
		Low		32
		Quiet		29
Outdoor Unit	Cooling		54	
	Heating		55	
REFRIGERANT				
Type				410A
Charge	lb oz			9lb 8oz
	g			4,300
Oil Type				POE (RB68)

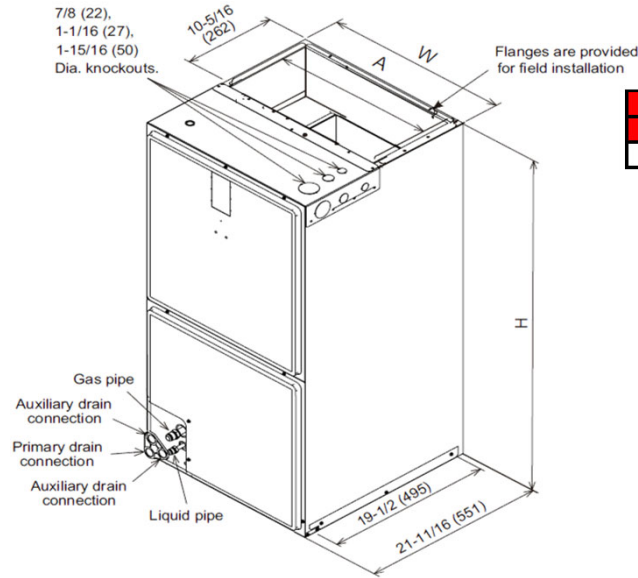
ELECTRICAL SPECIFICATIONS				
Voltage/Frequency/Phase			208-230V/60Hz/1	
Voltage Range			187—253 V	
Current	Cooling	Rated	A	24.4
	Heating	Rated		23.5
Maximum Operating Current		Cooling		32.4
		Heating		32.4
Starting Current			20.1	
MCA			39.9	
Maximum Circuit Breaker			40	
Input Power	Cooling	Rated	kW	5.56
		Min.—Max.		0.85 - 5.94
	Heating	Rated		5.35
		Min.—Max.	0.67 - 5.42	
Power Factor	Cooling		%	99.1
	Heating			99
OTHER				
Moisture Removal		pints/h (L/h)		9.3 (4.4)
Energy Star		No		
Drain hose	Material	PVC		
	Size	in (mm) Ø 3/4 (19) [O.D.]		
Operation Range	Cooling	°F (°C)	64 to 90 (18 to 32)	
		%RH	80 or less	
	Heating	°F (°C)	60 to 86 (16 to 30)	
Static Pressure Range	in. WG		0-1.0	
	Pa		20-250	

The Fujitsu logo is a worldwide trademark of Fujitsu General Limited. The Halcyon logo and name is a worldwide trademark of Fujitsu General Limited and is a registered trademark in Japan, the USA and other countries or areas. Copyright 2020 Fujitsu General America, Inc. Fujitsu's products are subject to continuous improvements. Fujitsu reserves the right to modify product design, specifications and information in this brochure without notice and without incurring any obligations.

Note: Specifications are based on the following conditions:
 Cooling: Indoor temperature of 80°F (26.7°C) DB/67°F (19.4°C) WB, and outdoor temperature of 95°F (35°C) DB/75°F (23.9°C) WB. Heating: Indoor temperature of 70°F (21.1°C) DB/60°F (15.6°C) WB, and outdoor temperature of 47°F (8.3°C) DB/43°F (6.1°C) WB. Pipe length: 25ft. (7.5m), Height difference: 0ft. (0m) (Outdoor unit – indoor unit).

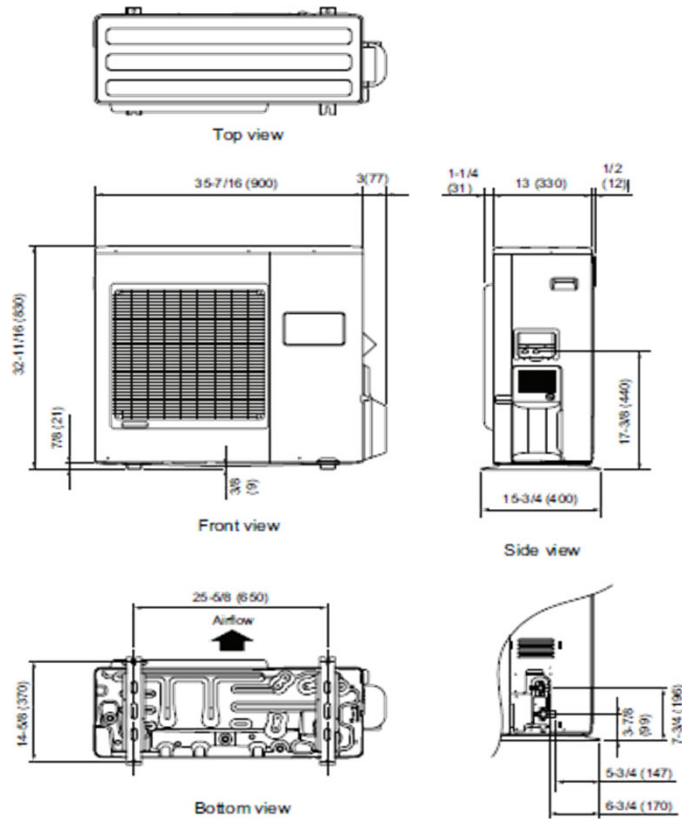
DIMENSIONS

Unit: in (mm)



Return Opening Dimensions	
Width	Depth
19 3/8	19 3/4

Model	A (Supply duct)	W (Unit width)	H (Unit height)
AMUG48LMAS	19-1/2 (495)	21 (533)	57 (1,448)



The Fujitsu logo is a worldwide trademark of Fujitsu General Limited. The Halcyon logo and name is a worldwide trademark of Fujitsu General Limited and is a registered trademark in Japan, the USA and other countries or areas. Copyright 2020 Fujitsu General America, Inc. Fujitsu's products are subject to continuous improvements. Fujitsu reserves the right to modify product design, specifications and information in this brochure without notice and without incurring any obligations.

Note: Specifications are based on the following conditions:
 Cooling: Indoor temperature of 80°F (26.7°C) DB/67°F (19.4°C) WB, and outdoor temperature of 95°F (35°C) DB/75°F (23.9°C) WB. Heating: Indoor temperature of 70°F (21.1°C) DB/60°F (15.6°C) WB, and outdoor temperature of 47°F (8.3°C) DB/43°F (6.1°C) WB. Pipe length: 25ft. (7.5m), Height difference: 0ft. (0m) (Outdoor unit – indoor unit).